



# Visegrad Initiative for Nuclear COoperation – VINCO Project

Jacek Jagielski

NCBJ

2017-11-19

Warszawa

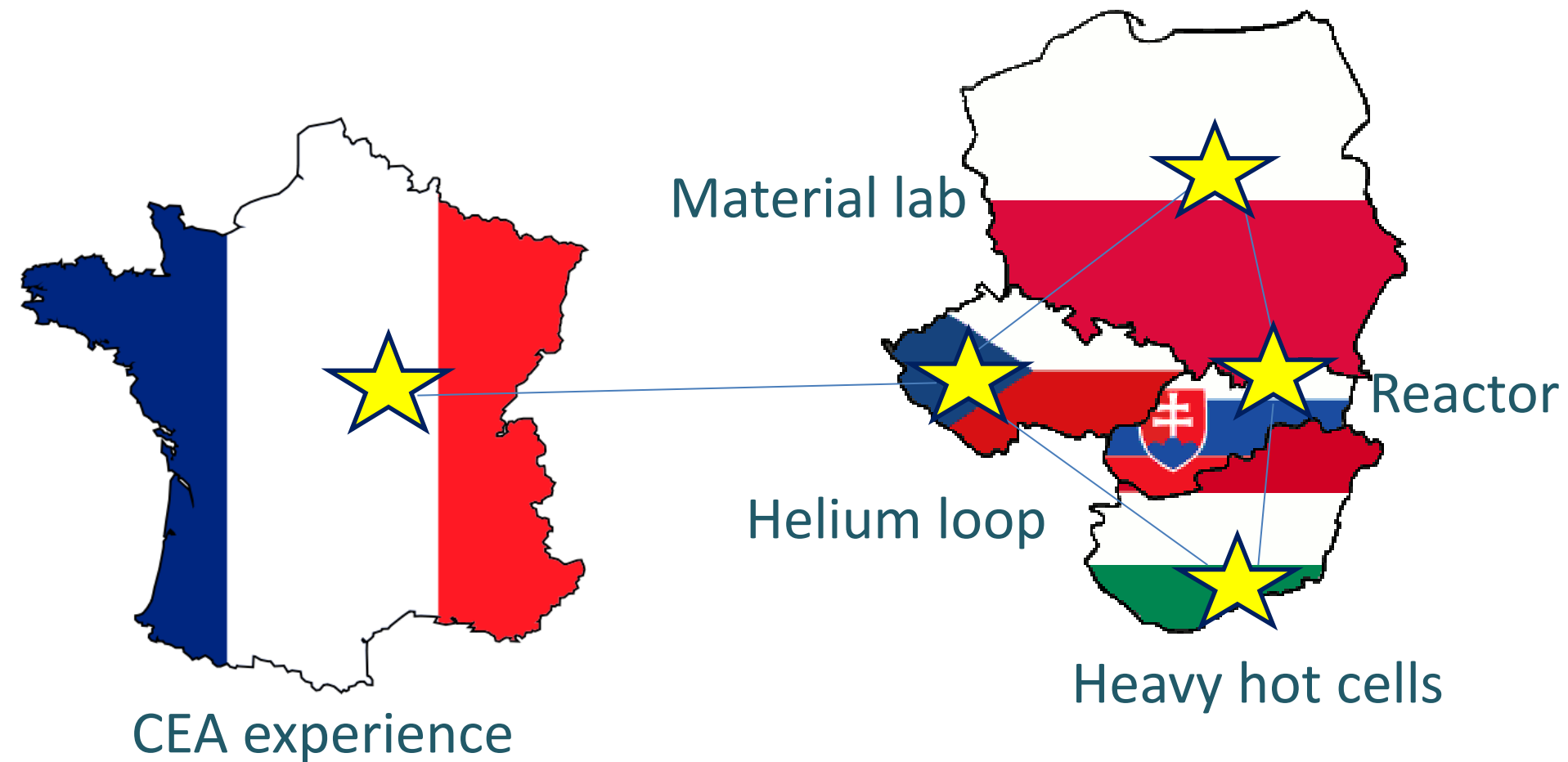


**NATIONAL CENTRE for  
NUCLEAR RESEARCH**  
Świerk

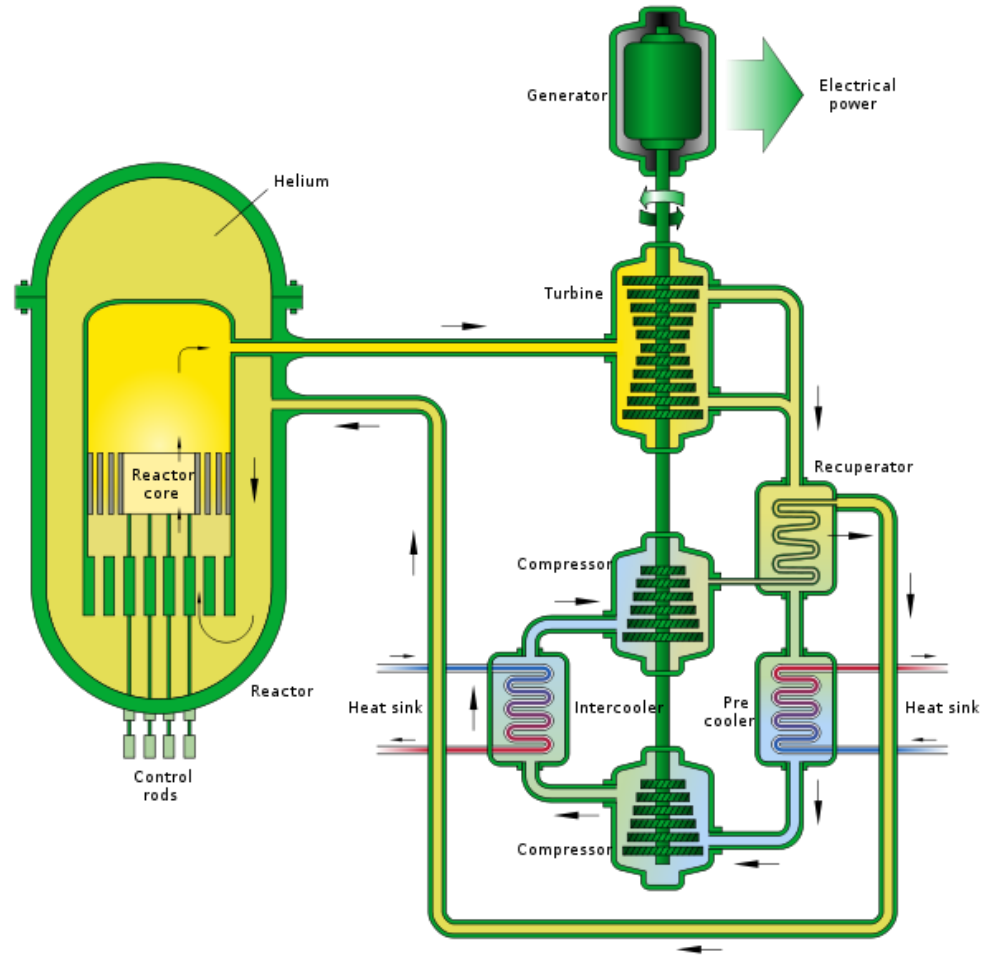
# History

- Visegrad countries decided to study jointly one of the concepts of the IV Generation of nuclear reactors: Gas Cooled Fast Reactors
- For this purpose V4G4 (Visegrad Four for Generation Four) Association has been founded
- In 2015 an EU project: VINCO (Visegrad Initiative for Nuclear Cooperation) has been proposed by Czech Republic, Slovakia, Hungary and Poland. France also joined this proposition.

# History

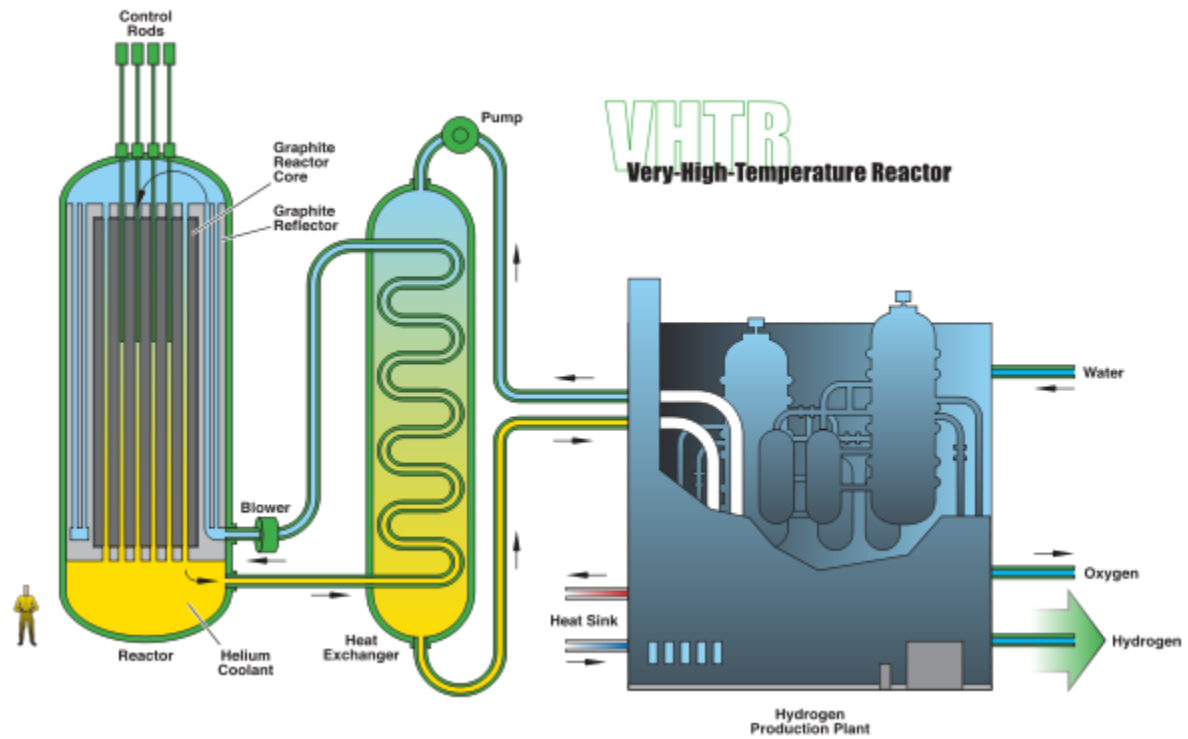


# Reactors



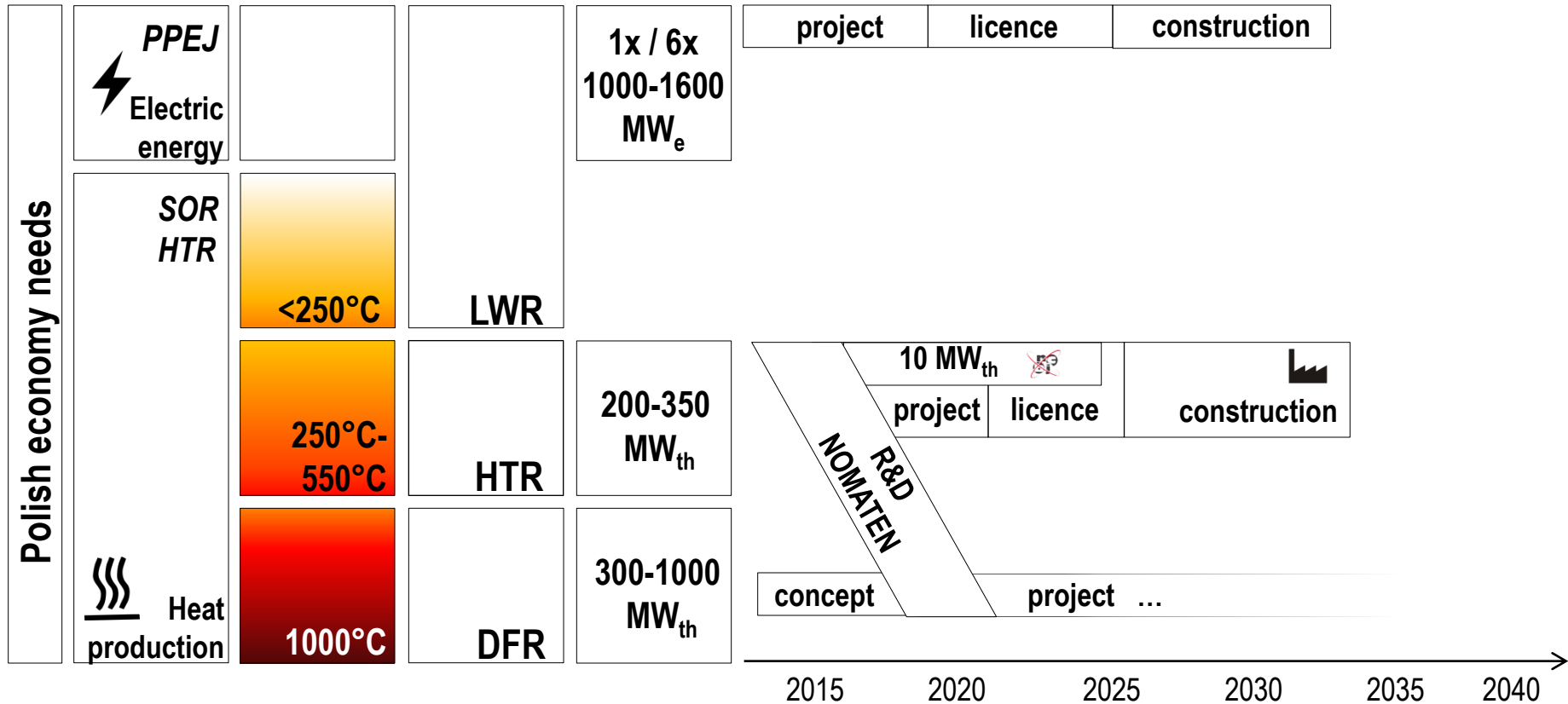
**GFR**

# Reactors



## HTR

# Polish Roadmap



# VINCO –Basic facts and figures

- Coordination&Support Action – NO research !
- 6 partners, 6 WPs, 22 Tasks, 197 project-month
- Duration 36 month,
- 30 deliverables, 21 milestones, 6 critical risks
- Budget 1 091 324 Euro (62% personel, 18% travels, 25% ovh)  
(first installement already transferred to partners)
- Formal start: 1 Sep 2015,
- Kick-off meeting 29 Sep 2015 in Brussels
- EC Project Officer – Ms Katerina Ptackova
- Mid-term review: planned March 2017

# VINCO: *work package breakdown & leaders*

Project Coordinator – NCBJ: ***Jacek Jagielski***

WP1 - Project Management – NCBJ: ***Łukasz Kurpaska***

WP2 - The use of structural funds for financing of research infrastructure in nuclear technologies – UJV: ***Lubor Žežula***

WP3 - Mutual learning exercises and design studies for ALLEGRO demonstrator – VUJE: ***Petr Dařílek***

WP4 - Coordination of V4G4 Activities and Strategic planning – MTAEK: ***Akos Horvath,***

WP5 - Education and Training, Mobility of Researchers – NCBJ: ***Ludwik Dobrzyński/Marek Kirejczyk***

WP6 - Dissemination of Results for Awareness-raising and Communication – CVR, ***Jana Kalivodova***



## Steering Committee

- NCBJ – Jacek Jagielski
- UJV – Jiri Duspiva
- CVR – Marketa Krykova
- VUJE – Petr Darilek
- MTAEK – Akos Horvath
- CEA – Eric Abonneau

## Advisory Board

- Poland – Grzegorz Wrochna,
- Czech Republic – Milan Patrik
- Slovakia – Peter Liska
- Hungary – Janos Gado (Chairman)

# VINCO

## Current status

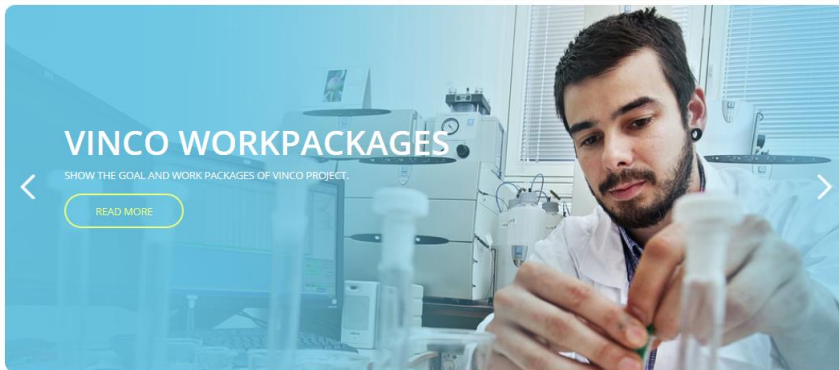
- Project is in its second phase after mid-term review
- Financial and legal analysis completed: open question of issues related to structural funds
- Benchmarks (neutronic and thermo-hydraulic) defined
- General analysis of national labs on European map prepared
- Databases of educational resources and needs prepared
- Webpage active, possibility to host V4G4 documents
- Communication strategy prepared
- Brochure on Gen IV prepared

# VINCO

## Current status



HOME NEWS VINCO » ALLEGRO » V4G4 EVENTS FILES » PARTNERS » CONTACT



### Visegrad Initiative for Nuclear Cooperation

After a common expression of willingness to cooperate and legal establishment of V4G4 Centre of ...

<http://project-vinco.eu>

#### All Downloads (43)

Search...

All Downloads (43)	ALLEGRO (public) (0)	ALLEGRO (restricted) (0)
ALLEGRO: Core (0)	ALLEGRO: Core: Benchmarks (0)	ALLEGRO: Core: Design Calculations (0)
ALLEGRO: Design Data (0)	ALLEGRO: Design Specifications (1)	ALLEGRO: Experiments - Integral experiments (0)
ALLEGRO: Experiments - Separate Effect Tests (0)	ALLEGRO: Instrumentation (0)	ALLEGRO: Materials (0)
ALLEGRO: Project Coordination Team Meetings (0)	ALLEGRO: Publications (2)	ALLEGRO: Roadmap (0)
ALLEGRO: Roadmap: Design and Safety (1)	ALLEGRO: Roadmap: R&D (0)	ALLEGRO: Safety (0)
ALLEGRO: Safety Specifications (0)	ALLEGRO: Safety: Severe Accidents (0)	ALLEGRO: Safety: System Thermalhydraulics Assessment (0)
ALLEGRO: Safety: System Thermalhydraulics Benchmarks (0)	ALLEGRO: Siting & Licensing (0)	ALLEGRO: Specifications (0)
V4G4 (public) (0)	V4G4 (restricted) (1)	V4G4: General Documents (0)
V4G4: Steering Committee Meetings (0)	VINCO (public) (1)	VINCO (restricted) (11)
VINCO: Admin (0)	VINCO: Deliverables (19)	VINCO: Meetings (7)
VINCO: Project documentation (3)	VINCO: WP1 (0)	VINCO: WP2 (0)
VINCO: WP3 (3)	VINCO: WP4 (0)	VINCO: WP5 (4)
VINCO: WP6 (5)		

Showing 1-10 of 43

MS4- Database_of_regionally_available_educational_resources 0 Downloads	D5.1-Database_of_Regionally_Available_Resources 0 Downloads
D6.2_Mapping-and-Prioritizing-Stakeholders 0 Downloads	D6.5 Education, training and mobility Plan 2 Downloads

# VINCO

## Next steps

- Mutual visits to reinforce the cooperation
- Finalize benchmarking exercises
- Prepare a common plans for the future
  
- In Poland one of the outcomes is the NOMATEN project: proposed Centre of Excellence for structural materials.
- We are searching for young scientists wishing to join a challenging adventure: studying materials for future reactors.

*If you are interested please contact me: [jacek.jagielski@ncbj.gov.pl](mailto:jacek.jagielski@ncbj.gov.pl)*



Thank you for your attention!